



Rixos-WD

- Active Bi-Amplified DSP 2-Way Angled Sound Beam Ceiling Speaker
- Wide dispersion for enhanced immersion
- High sound pressure levels in a compact package
- Shallow form factor - Flush mount
- Exceptional Dynamics and Finesse
- Patented Novel 21st Century technology
- Integration-friendly



112dB Sound Pressure Level



Digital Signal Processing EQ



Calibration, Diagnostics and 24/7 Monitoring Over IP

GrimaniSYSTEMS
IMMERSIVE SOUND POWER



Grimani.tv



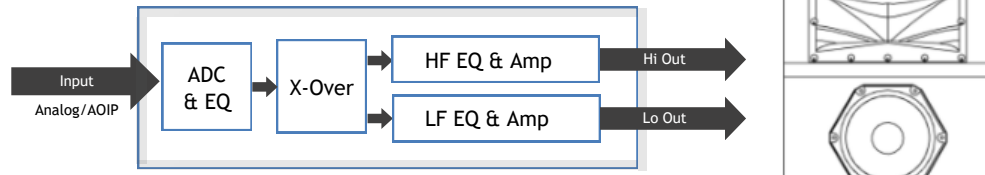
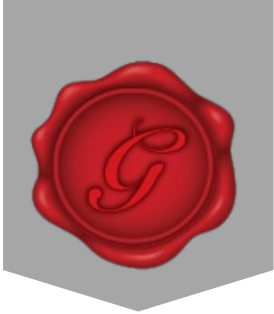
Grimani Systems



+1 (415) 883 1476

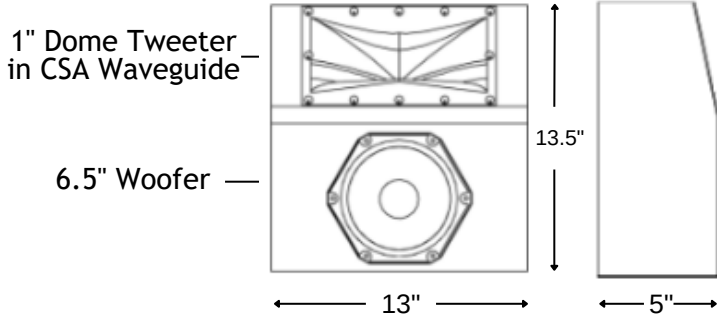


Novato, CA 94949 USA



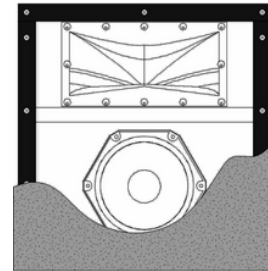
EQ/Amp/Spkr Block Diagram

Rixos-WD



Mounting Kit Options

Recessed In-ceiling: Perimeter flanges & fabric-covered grille.



2~4 Channel DSP Power Amp
2 channels per speaker

Responses: Listening Window and Sound Power

